

REVISIONS				
REV	DESCRIPTION OF REVISION	ECN No.	DATE	APPROVED
A	INITIAL RELEASE	—	15/03/12	M. Dong

TECHNICAL DATA

Electrical

RF Connector Impedance	50 Ω
Frequency range	26.5 to 40 GHz
VSWR	1.25 Max.

Mechanical & Environmental

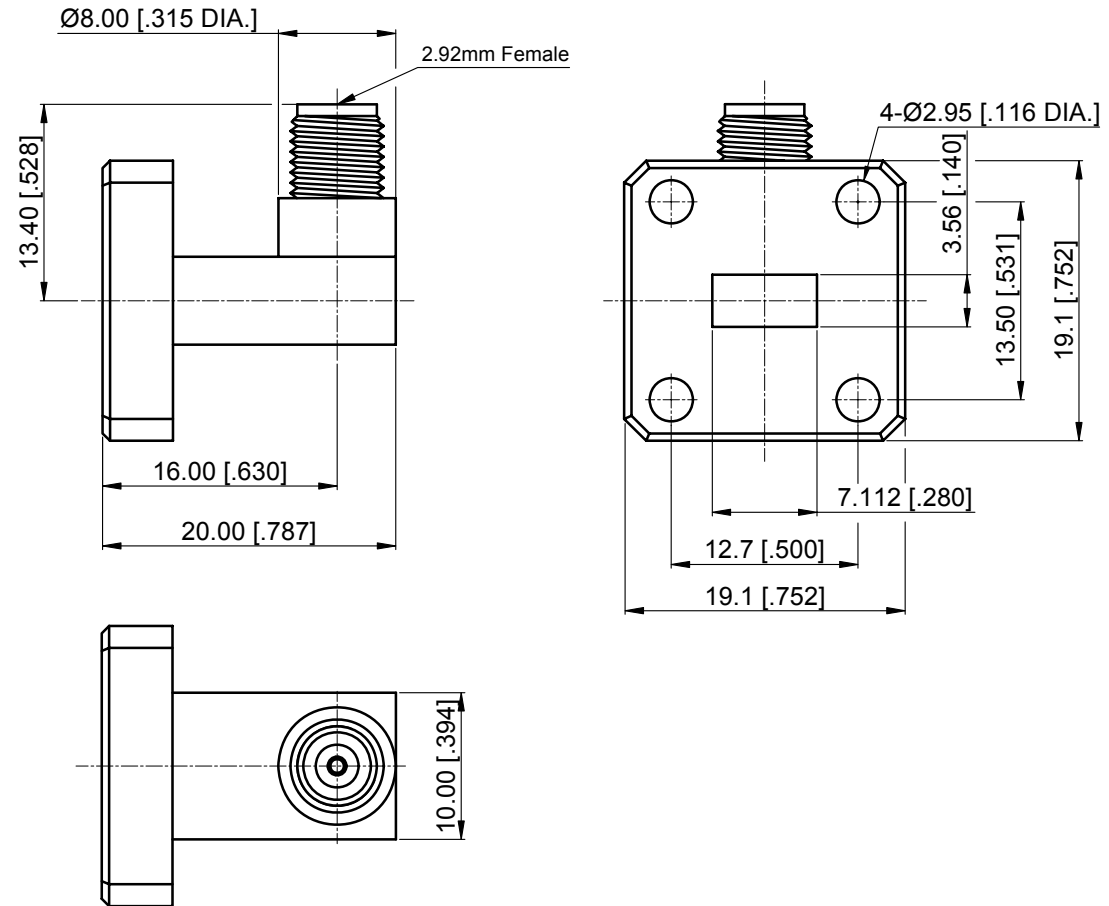
Waveguide Interface	WR-28
RF Connector Interface	2.92mm Female
Durability (matings)	>500
Temperature range	-55 °C ~ +125 °C
RoHS Compliant	Yes

Material & Finish

Waveguide Body	Brass, Gold-plated
RF Connector Body	Stainless Steel (SU303), Passivated

Interface Standards

2.92mm	MIL-STD-348A
--------	--------------



NOTES:

- ALL SPECIFICATIONS ARE SUBJECT TO CHANGE WITHOUT NOTICE AT ANY TIME
- UNLESS OTHERWISE SPECIFIED ALL DIMENSIONS ARE NOMINAL.

DRAWN:	W. Shen	15/03/12
CHECKED:	K. Liu	15/03/12
APPROVED:	M. Dong	15/03/12

UNLESS OTHERWISE SPECIFIED, DIMENSIONS ARE IN MILLIMETERS [INCHES].
UNLESS OTHERWISE SPECIFIED DIMENSIONAL TOLERANCES ARE:

.XX	±0.13 [0.005"]
.X	±0.20 [0.008"]
X	±0.50 [0.019"]

ANGULAR TOLERANCES ARE: ALL±1°

TITLE:

WR-28 With Square Cover Flange to 2.92mm Female Waveguide to Coax Adapter Operating From 26.5 GHz to 40 GHz

DO NOT SCALE DRAWING

PROJECTION:

 www.connov.com			
SIZE: A4	SCALE: 4:1	SHEET: 1/1	REV: A