

| REVISIONS |                         |         |          |          |
|-----------|-------------------------|---------|----------|----------|
| REV       | DESCRIPTION OF REVISION | ECN No. | DATE     | APPROVED |
| A         | INITIAL RELEASE         |         | 08/08/12 | M. Dong  |

## TECHNICAL DATA

### Electrical

|                       |                    |
|-----------------------|--------------------|
| Impedance             | 50 $\Omega$        |
| Frequency range       | 0~40 GHz           |
| VSWR                  | 1.20:1             |
| Contact resistance    |                    |
| -centre contact       | $\leq 5m\Omega$    |
| -outer contact        | $\leq 2.5m\Omega$  |
| Insulation resistance | $\geq 1000M\Omega$ |

### Mechanical & Environmental

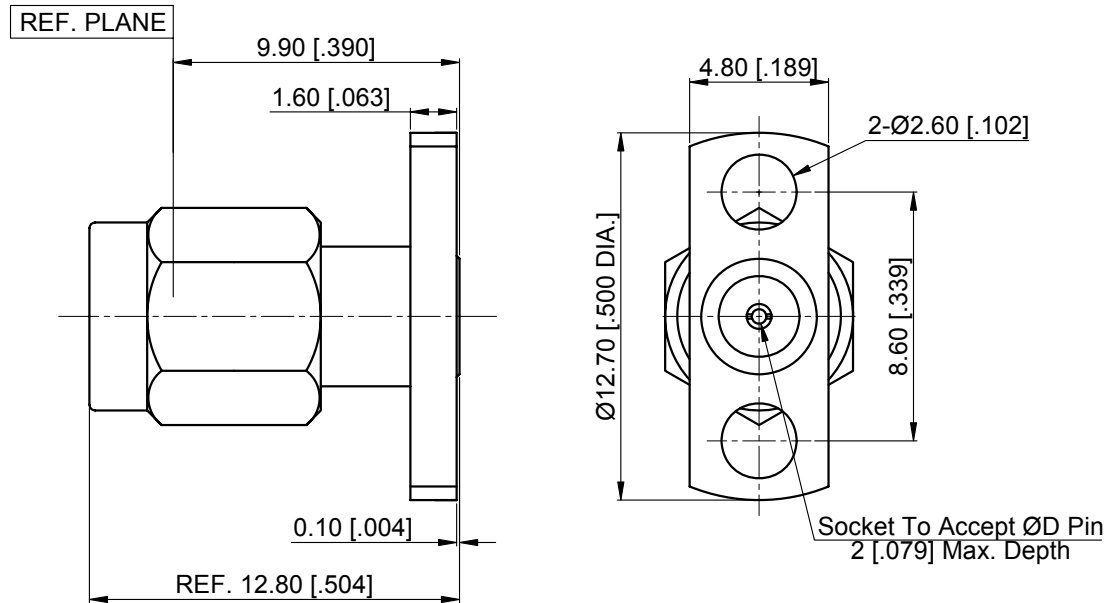
|                      |                  |
|----------------------|------------------|
| Durability (matings) | >500             |
| Temperature range    | -55 °C ~ +165 °C |
| RoHS Compliant       | Yes              |

### Material & Finish

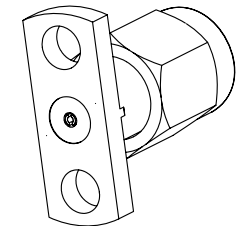
|             |                                     |
|-------------|-------------------------------------|
| Body        | Stainless Steel (SU303), Passivated |
| Pin Contact | Beryllium Copper Alloy, Gold-plated |
| Insulator   | PEI & PTFE                          |

### Interface Standards

|      |              |
|------|--------------|
| SSMA | MIL-STD-348A |
|------|--------------|



| Part Number | D           |
|-------------|-------------|
| C30114005A  | 0.23 [.009] |
| C30114005B  | 0.30 [.012] |
| C30114005C  | 0.38 [.015] |
| C30114005D  | 0.46 [.018] |
| C30114005E  | 0.51 [.020] |



#### NOTES:

- ALL SPECIFICATIONS ARE SUBJECT TO CHANGE WITHOUT NOTICE AT ANY TIME
- UNLESS OTHERWISE SPECIFIED ALL DIMENSIONS ARE NOMINAL.

|   |         |          |
|---|---------|----------|
| DRAWN:  | W. Shen | 08/08/12 |
| CHECKED:  | K. Liu  | 08/08/12 |
| APPROVED:   | M. Dong | 08/08/12 |
| UNLESS OTHERWISE SPECIFIED, DIMENSIONS ARE IN MILLIMETERS [INCHES].<br>UNLESS OTHERWISE SPECIFIED DIMENSIONAL TOLERANCES ARE:<br>XX $\pm 0.13$ [.005"]<br>X $\pm 0.20$ [.008"]<br>X $\pm 0.50$ [.019"]<br>ANGULAR TOLERANCES ARE: ALL $\pm 1^\circ$ |         |          |

TITLE:

SSMA Straight Male,  
2 Hole Flange,  
Accept Pin

DO NOT SCALE  
DRAWING

PROJECTION:

SIZE:  
A4

SCALE:  
4:1

SHEET:  
1/1

REV:  
A

**CONNOR**<sup>®</sup>  
www.connor.com

PART No.:  
**C30114005**