

REVISIONS				
REV	DESCRIPTION OF REVISION	ECN No.	DATE	APPROVED
A	INITIAL RELEASE	—	07/08/12	M. Dong

TECHNICAL DATA

Electrical

Impedance	50 Ω
Frequency range	0~27 GHz
VSWR	1.10:1 (DC to 18GHz) 1.15:1 (18GHz to 27GHz)

Contact resistance

-centre contact	≤3mΩ
-outer contact	≤2mΩ
Insulation resistance	≥5000MΩ

Mechanical & Environmental

Durability (matings)	>500
Temperature range	-55 °C ~ +165 °C
RoHS Compliant	Yes

Material & Finish

Body	Stainless Steel (SU303), Passivated
Pin Contact	Beryllium Copper Alloy, Gold-plated
Insulator	PTFE

Interface Standards

SMA	MIL-STD-348A
-----	--------------

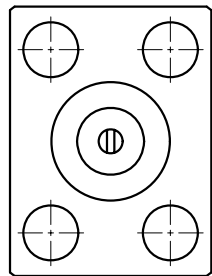
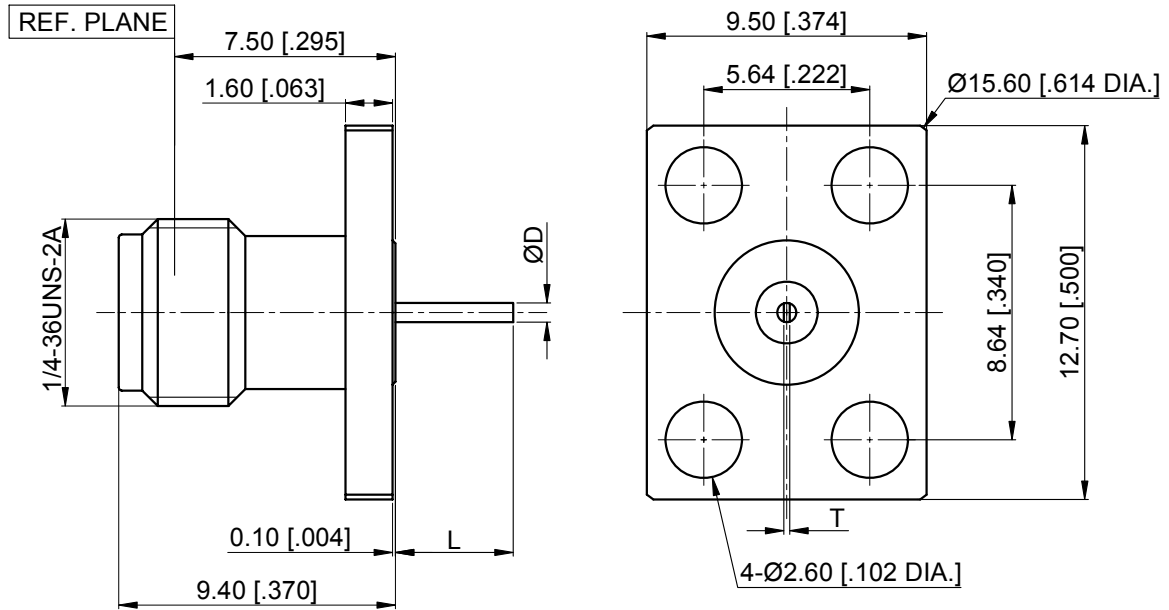


Fig.1

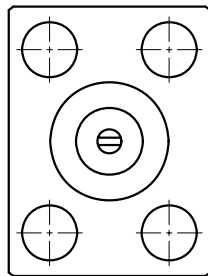
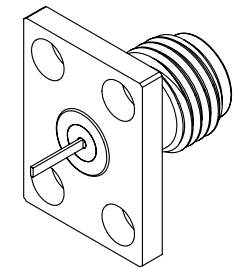


Fig.2

Part Number	ØD PIN	L	T	Figure
C14214060A	0.65 [0.026]	4 [0.157]	0.2 [0.008]	Fig.1
C14214060B	0.65 [0.026]	4 [0.157]	0.2 [0.008]	Fig.2
C14214060C	1.27 [0.050]	1.27 [0.050]	0.15 [0.006]	Fig.1
C14214060D	1.27 [0.050]	1.27 [0.050]	0.15 [0.006]	Fig.2



NOTES:

- ALL SPECIFICATIONS ARE SUBJECT TO CHANGE WITHOUT NOTICE AT ANY TIME
- UNLESS OTHERWISE SPECIFIED ALL DIMENSIONS ARE NOMINAL.

DRAWN:	W. Shen	07/08/12
CHECKED:	K. Liu	07/08/12
APPROVED:	M. Dong	07/08/12
UNLESS OTHERWISE SPECIFIED, DIMENSIONS ARE IN MILLIMETERS (INCHES). UNLESS OTHERWISE SPECIFIED DIMENSIONAL TOLERANCES ARE: .XX ±0.13 [005"] .X ±0.20 [008"] X ±0.50 [019"] ANGULAR TOLERANCES ARE: ALL±1°		

TITLE:

SMA Straight Female,
4 Hole Flange,
with Tab

DO NOT SCALE
DRAWING

PROJECTION:

CONNORV [®] www.connov.com			
PART No.:		C14214060	
SIZE:	SCALE:	SHEET:	REV:
A4	4:1	1/1	A