

REVISIONS				
REV	DESCRIPTION OF REVISION	ECN No.	DATE	APPROVED
A	INITIAL RELEASE	—	07/08/12	M. Dong

TECHNICAL DATA

Electrical

Impedance	50 Ω
Frequency range	0~27 GHz
VSWR	1.10:1 (DC to 18GHz) 1.15:1 (18GHz to 27GHz)

Contact resistance	
-centre contact	≤3mΩ
-outer contact	≤2mΩ
Insulation resistance	≥5000MΩ

Mechanical & Environmental

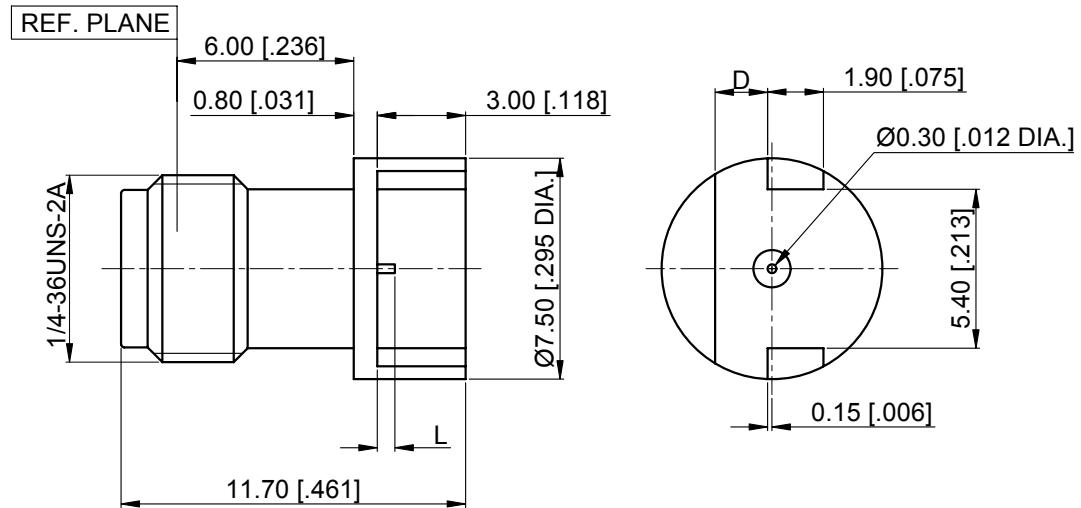
Durability (matings)	>500
Temperature range	-55 °C ~ +165 °C
RoHS Compliant	Yes

Material & Finish

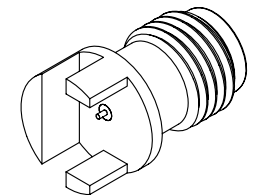
Body	Brass, Gold-plated
Pin Contact	Beryllium Copper Alloy, Gold-plated
Insulator	PTFE

Interface Standards

SMA	MIL-STD-348A
-----	--------------



Part Number	D	L	Board Thickness
C14213064A	1.93 [0.076]	0.6 [0.023]	1.78 [0.070]
C14213064B	0.76 [0.030]	0.6 [0.023]	0.61 [0.024]
C14213064C	1.02 [0.040]	0.6 [0.023]	0.87 [0.034]
C14213064D	1.93 [0.076]	1.22 [0.048]	1.78 [0.070]
C14213064E	0.76 [0.030]	1.22 [0.048]	0.61 [0.024]
C14213064F	1.02 [0.040]	1.22 [0.048]	0.87 [0.034]



NOTES:

- ALL SPECIFICATIONS ARE SUBJECT TO CHANGE WITHOUT NOTICE AT ANY TIME
- UNLESS OTHERWISE SPECIFIED ALL DIMENSIONS ARE NOMINAL.

DRAWN:	W. Shen	07/08/12
CHECKED:	K. Liu	07/08/12
APPROVED:	M. Dong	07/08/12
UNLESS OTHERWISE SPECIFIED, DIMENSIONS ARE IN MILLIMETERS (INCHES). UNLESS OTHERWISE SPECIFIED DIMENSIONAL TOLERANCES ARE: .XX ±0.13 [0.005] .X ±0.20 [0.008] X ±0.50 [0.019] ANGULAR TOLERANCES ARE: ALL=±1°		

TITLE:

SMA Straight Female,
PCB Mount

DO NOT SCALE
DRAWING

PROJECTION:

SIZE:
A4

SCALE:
4:1

SHEET:
1/1

REV:
A

CONNOR[®]
www.connor.com

PART No.:

C14213064