

REVISIONS				
REV	DESCRIPTION OF REVISION	ECN No.	DATE	APPROVED
A	INITIAL RELEASE	—	01/08/12	M. Dong

TECHNICAL DATA

Electrical

Impedance	50 Ω
Frequency range	0~18 GHz
VSWR	1.15:1
Contact resistance	
-centre contact	≤1mΩ
-outer contact	≤0.2mΩ
Insulation resistance	≥5000MΩ

Mechanical & Environmental

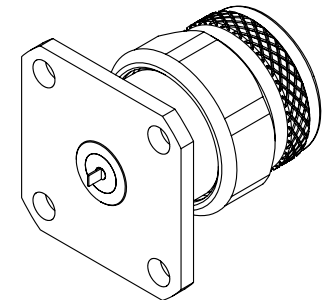
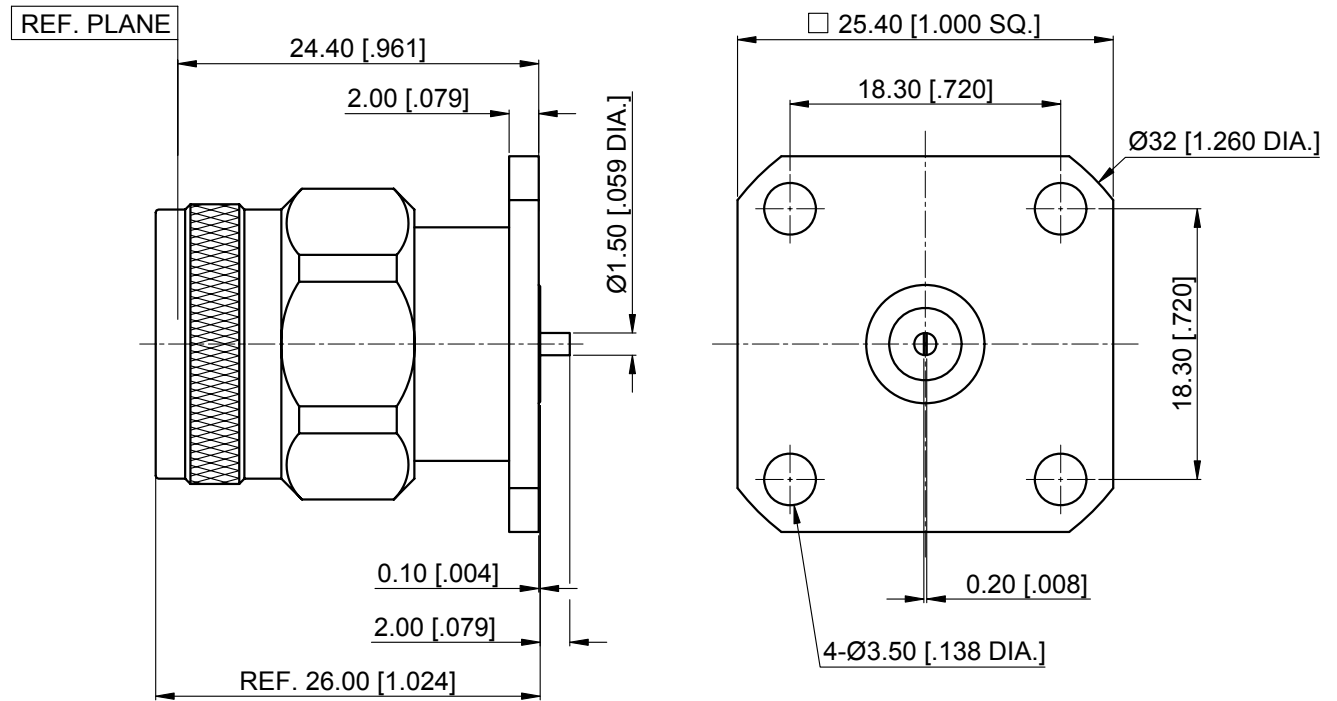
Durability (matings)	>500
Temperature range	-55 °C ~ +165 °C
RoHS Compliant	Yes

Material & Finish

Body	Stainless Steel (SU303), Passivated
Pin Contact	Beryllium Copper Alloy, Gold-plated
Insulator	PEI & PTFE

Interface Standards

N	MIL-STD-348A
---	--------------



NOTES:

- ALL SPECIFICATIONS ARE SUBJECT TO CHANGE WITHOUT NOTICE AT ANY TIME
- UNLESS OTHERWISE SPECIFIED ALL DIMENSIONS ARE NOMINAL.

DRAWN:	W. Shen	01/08/12
CHECKED:	K. Liu	01/08/12
APPROVED:	M. Dong	01/08/12

UNLESS OTHERWISE SPECIFIED, DIMENSIONS ARE IN MILLIMETERS [INCHES].
UNLESS OTHERWISE SPECIFIED DIMENSIONAL TOLERANCES ARE:

.XX	±0.13 [0.05"]
.X	±0.20 [0.08"]
X	±0.50 [0.19"]

ANGULAR TOLERANCES ARE: ALL=±1°

TITLE:

N Straight Male,
4 Hole Flange,
With Tab

DO NOT SCALE
DRAWING

PROJECTION:

CONNORV[®]
www.connov.com

PART No.:
C20114014

SIZE:
A4

SCALE:
2:1

SHEET:
1/1

REV:
A