

REVISIONS				
REV	DESCRIPTION OF REVISION	ECN No.	DATE	APPROVED
A	INITIAL RELEASE	---	03/09/12	M. Dong

TECHNICAL DATA

Electrical

Impedance	50 Ω
Frequency range	0~27 GHz
VSWR	1.25:1

Mechanical & Environmental

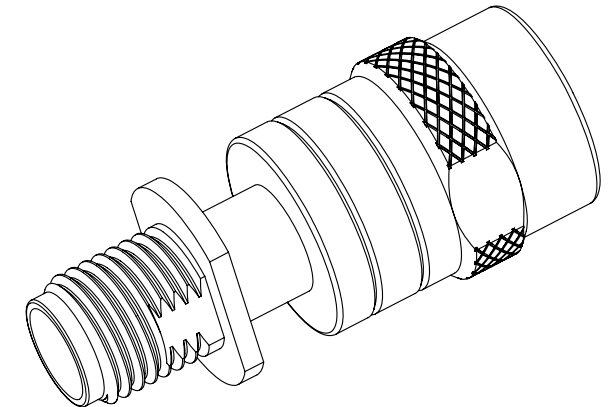
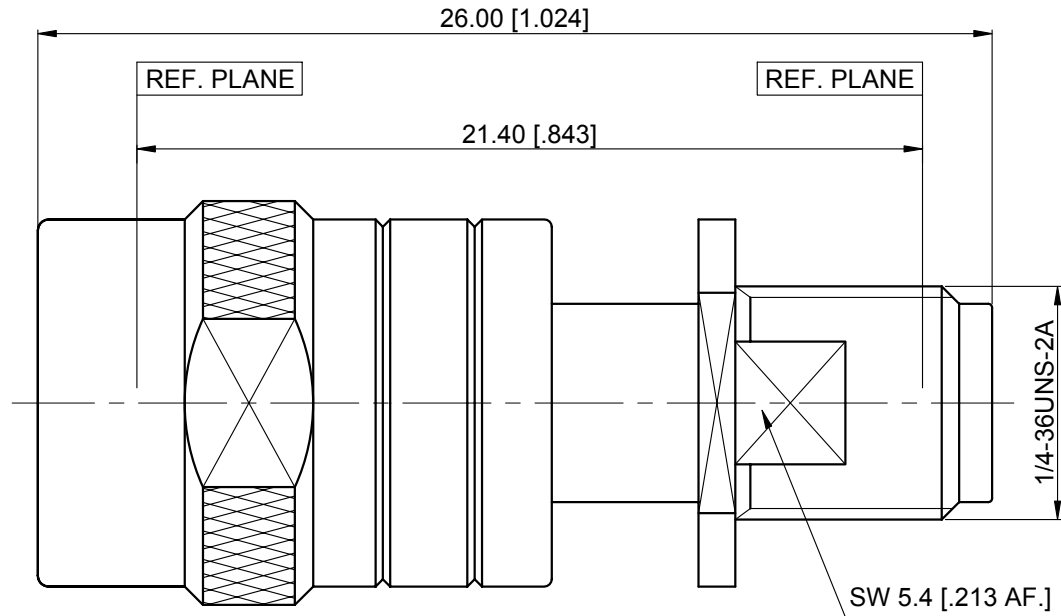
Durability (matings)	>500
Temperature range	-55 °C ~ +165 °C
RoHS Compliant	Yes

Material & Finish

Body	Stainless Steel (SU303), Passivated
Pin Contact	Beryllium Copper Alloy, Gold-plated
Insulator	PEI & PTFE

Interface Standards

SMA	MIL-STD-348A
-----	--------------



NOTES:

1. ALL SPECIFICATIONS ARE SUBJECT TO CHANGE WITHOUT NOTICE AT ANY TIME
2. UNLESS OTHERWISE SPECIFIED ALL DIMENSIONS ARE NOMINAL.

DRAWN:	W. Shen	03/09/12
CHECKED:	K. Liu	03/09/12
APPROVED:	M. Dong	03/09/12

UNLESS OTHERWISE SPECIFIED, DIMENSIONS ARE IN MILLIMETERS [INCHES].
UNLESS OTHERWISE SPECIFIED DIMENSIONAL TOLERANCES ARE:
.XX ±0.13 [.005"]
.X ±0.20 [.008"]
X ±0.50 [.019"]
ANGULAR TOLERANCES ARE: ALL±1°

TITLE:

Quick Match Adapter,
SMA Male to SMA Female
Self-lock Type

DO NOT SCALE
DRAWING

PROJECTION:

CONNOR®
www.connor.com

PART No.:

C141142119

SIZE:
A4

SCALE:
5:1

SHEET:
1/1

REV:
A