

REVISIONS				
REV	DESCRIPTION OF REVISION	ECN No.	DATE	APPROVED
A	INITIAL RELEASE		31/07/12	M. Dong

TECHNICAL DATA

Electrical

Impedance	50 Ω
Frequency range	0~40 GHz
VSWR	1.15:1
Contact resistance	
-centre contact	≤3mΩ
-outer contact	≤2mΩ
Insulation resistance	≥3000MΩ

Mechanical & Environmental

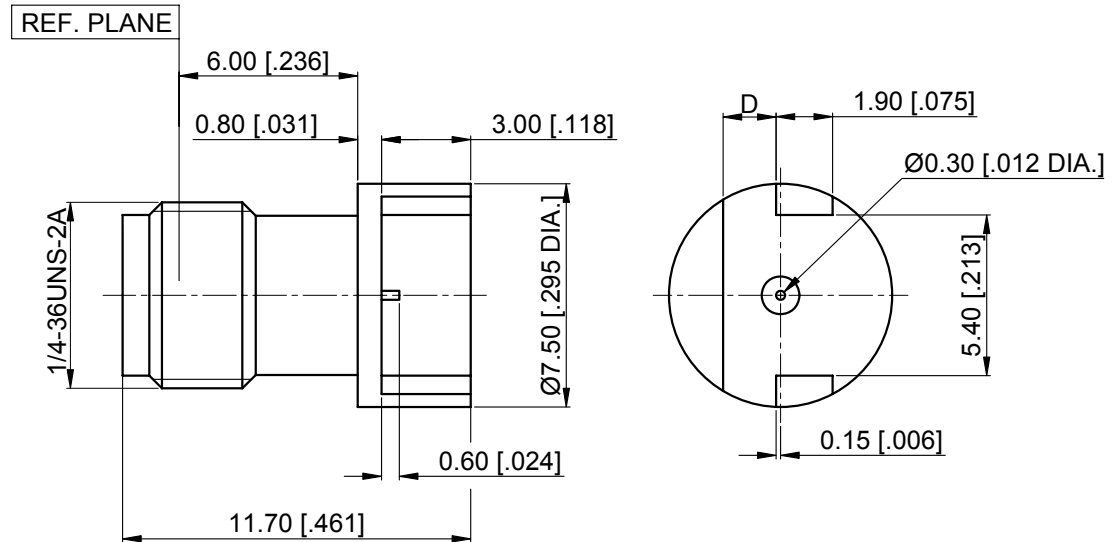
Durability (matings)	>500
Temperature range	-55 °C ~ +165 °C
RoHS Compliant	Yes

Material & Finish

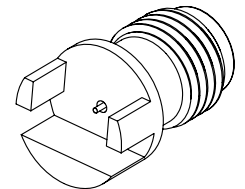
Body	Brass, Gold-plated
Pin Contact	Beryllium Copper Alloy, Gold-plated
Insulator	PTFE

Interface Standards

2.92mm	MIL-STD-348A
--------	--------------


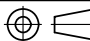


Part Number	D	Board Thickness
C12213037A	1.93 [0.076]	1.78 [0.070]
C12213037B	0.76 [0.030]	0.61 [0.024]
C12213037C	1.02 [0.040]	0.87 [0.034]



NOTES:

- ALL SPECIFICATIONS ARE SUBJECT TO CHANGE WITHOUT NOTICE AT ANY TIME
- UNLESS OTHERWISE SPECIFIED ALL DIMENSIONS ARE NOMINAL.

DRAWN:	W. Shen	31/07/12	TITLE: 2.92mm Straight Female, PCB Mount		 www.connov.com		
CHECKED:	K. Liu	31/07/12					
APPROVED:	M. Dong	31/07/12					
UNLESS OTHERWISE SPECIFIED, DIMENSIONS ARE IN MILLIMETERS [INCHES]. UNLESS OTHERWISE SPECIFIED DIMENSIONAL TOLERANCES ARE:			PART No.: C12213037		SIZE: A4		
.XX ±0.13 [0.05"] .X ±0.20 [0.08"] X ±0.50 [0.19"]							
ANGULAR TOLERANCES ARE: ALL=±1°			DO NOT SCALE DRAWING	PROJECTION: 	SCALE: 4:1	SHEET: 1/1	REV: A