

REVISIONS				
REV	DESCRIPTION OF REVISION	ECN No.	DATE	APPROVED
A	INITIAL RELEASE	---	03/09/12	M. Dong

## TECHNICAL DATA

### Electrical

Impedance 50  $\Omega$   
 Frequency range 0~65 GHz  
 VSWR 1.25:1

### Mechanical & Environmental

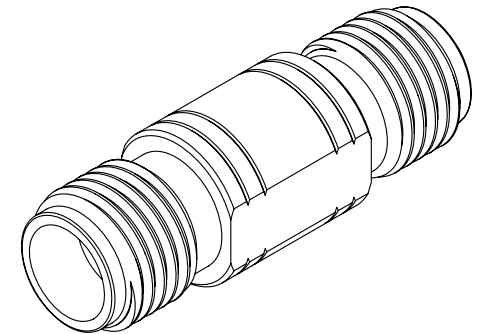
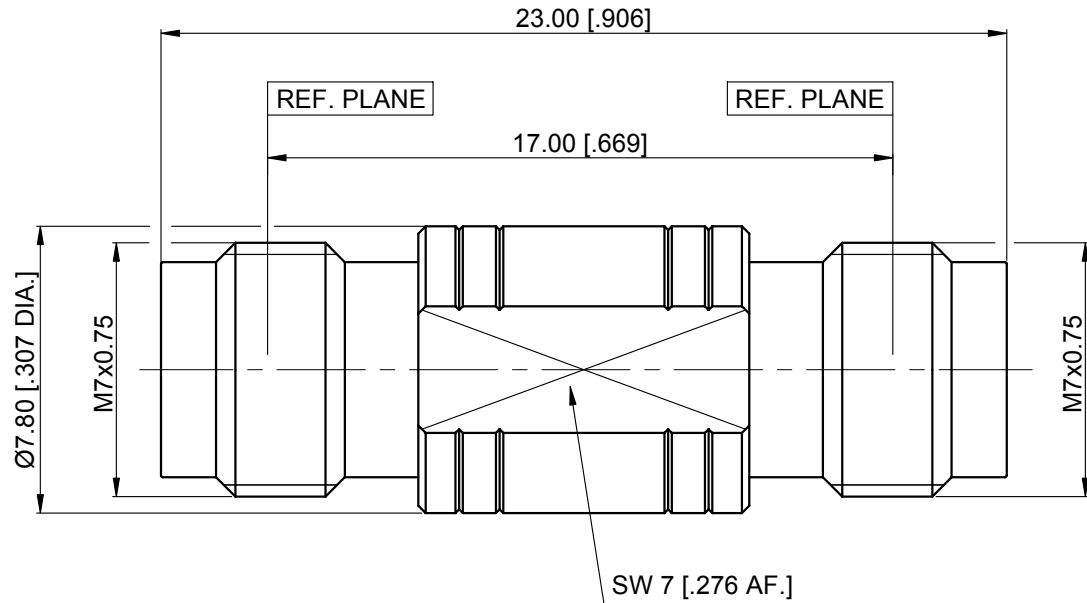
Durability (matings) >500  
 Temperature range -55 °C ~ +165 °C  
 RoHS Compliant Yes

### Material & Finish

Body Stainless Steel (SU303), Passivated  
 Pin Contact Beryllium Copper Alloy, Gold-plated  
 Insulator PEI

### Interface Standards

1.85mm IEC-61169



### NOTES:

- ALL SPECIFICATIONS ARE SUBJECT TO CHANGE WITHOUT NOTICE AT ANY TIME
- UNLESS OTHERWISE SPECIFIED ALL DIMENSIONS ARE NOMINAL.

DRAWN:	W. Shen	03/09/12
CHECKED:	K. Liu	03/09/12
APPROVED:	M. Dong	03/09/12

UNLESS OTHERWISE SPECIFIED, DIMENSIONS ARE IN MILLIMETERS (INCHES).  
 UNLESS OTHERWISE SPECIFIED DIMENSIONAL TOLERANCES ARE:  
 .XX  $\pm 0.13$  [.005"]  
 X  $\pm 0.20$  [.008"]  
 X  $\pm 0.50$  [.019"]  
 ANGULAR TOLERANCES ARE: ALL  $\pm 1^\circ$

TITLE:

Precision Adapter, 1.85mm  
 Female to 1.85mm Female

DO NOT SCALE  
 DRAWING

PROJECTION:

SIZE:  
 A4

SCALE:  
 5:1

SHEET:  
 1/1

REV:  
 A



PART No.:  
**C102102109**