

REVISIONS				
REV	DESCRIPTION OF REVISION	ECN No.	DATE	APPROVED
A	INITIAL RELEASE	—	03/09/12	M. Dong

TECHNICAL DATA

Electrical

Impedance	50 Ω
Frequency range	0~65 GHz
VSWR	1.25:1

Mechanical & Environmental

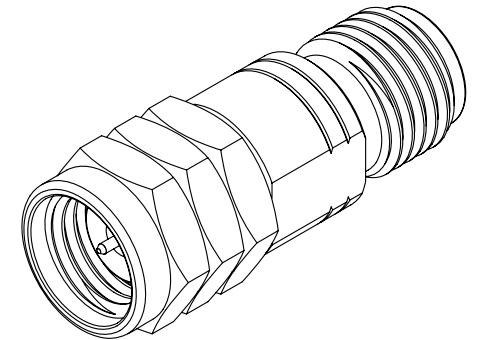
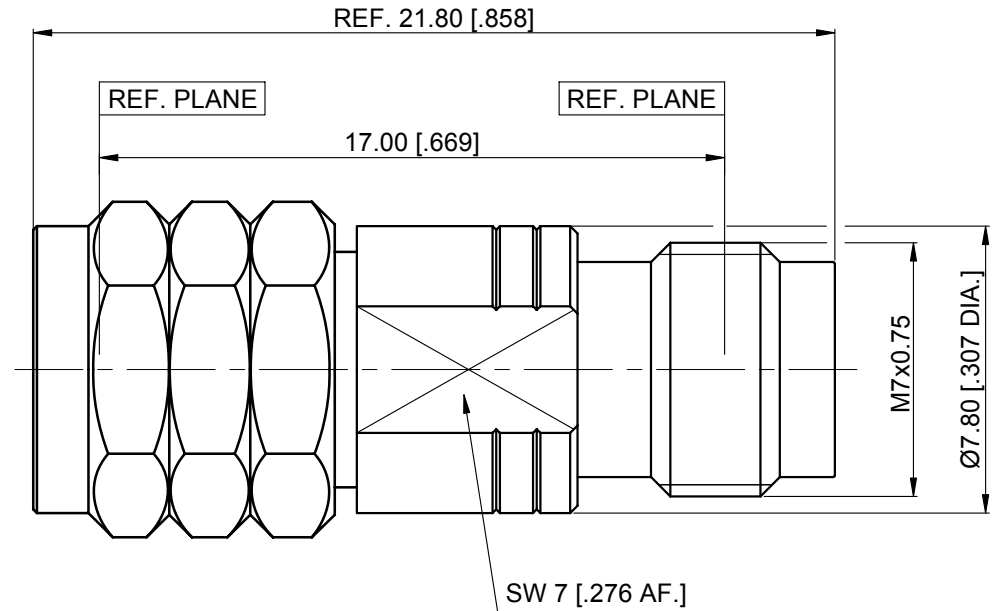
Durability (matings)	>500
Temperature range	-55 °C ~ +165 °C
RoHS Compliant	Yes

Material & Finish

Body	Stainless Steel (SU303), Passivated
Pin Contact	Beryllium Copper Alloy, Gold-plated
Insulator	PEI

Interface Standards

1.85mm	IEC-61169
--------	-----------



DRAWN:	W. Shen	03/09/12
CHECKED:	K. Liu	03/09/12
APPROVED:	M. Dong	03/09/12

UNLESS OTHERWISE SPECIFIED, DIMENSIONS ARE IN MILLIMETERS (INCHES).
UNLESS OTHERWISE SPECIFIED DIMENSIONAL TOLERANCES ARE:

.XX	±0.13 [.005"]
.X	±0.20 [.008"]
X	±0.50 [.019"]

ANGULAR TOLERANCES ARE: ALL ±1°

TITLE:

Precision Adapter, 1.85mm
Male to 1.85mm Female

DO NOT SCALE
DRAWING

PROJECTION:

SIZE:
A4

SCALE:
5:1

SHEET:
1/1

REV:
A

CONNOR[®]
www.connor.com

PART No.:

C101102110

NOTES:

- ALL SPECIFICATIONS ARE SUBJECT TO CHANGE WITHOUT NOTICE AT ANY TIME
- UNLESS OTHERWISE SPECIFIED ALL DIMENSIONS ARE NOMINAL.