

| REVISIONS | | | | |
|-----------|-------------------------|---------|----------|----------|
| REV | DESCRIPTION OF REVISION | ECN No. | DATE | APPROVED |
| A | INITIAL RELEASE | — | 03/09/12 | M. Dong |

TECHNICAL DATA

Electrical

| | |
|-----------------|----------|
| Impedance | 50 Ω |
| Frequency range | 0~18 GHz |
| VSWR | 1.15:1 |
| Average Power | 1W |

Mechanical & Environmental

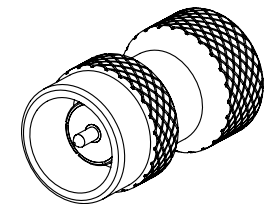
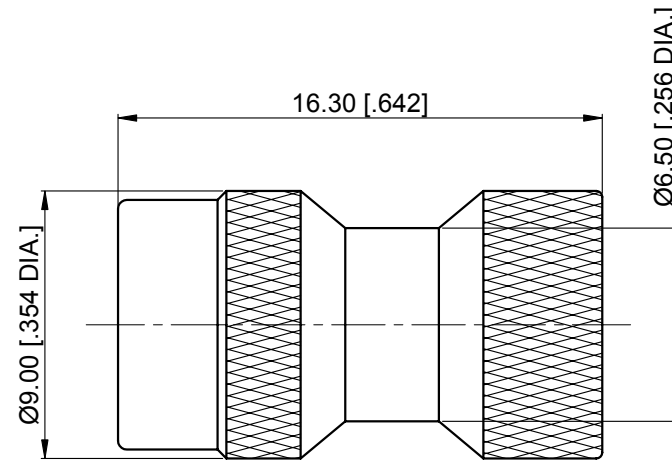
| | |
|----------------------|------------------|
| Durability (matings) | >500 |
| Temperature range | -55 °C ~ +125 °C |
| RoHS Compliant | Yes |

Material & Finish

| | |
|-------------|-------------------------------------|
| Body | Stainless Steel (SU303), Passivated |
| Pin Contact | Beryllium Copper Alloy, Gold-plated |

Interface Standards

| | |
|-----|--------------|
| SMA | MIL-STD-348A |
|-----|--------------|



NOTES:

1. ALL SPECIFICATIONS ARE SUBJECT TO CHANGE WITHOUT NOTICE AT ANY TIME
2. UNLESS OTHERWISE SPECIFIED ALL DIMENSIONS ARE NOMINAL.

| | | |
|---|---------|----------|
| DRAWN: | W. Shen | 03/09/12 |
| CHECKED: | K. Liu | 03/09/12 |
| APPROVED: | M. Dong | 03/09/12 |
| UNLESS OTHERWISE SPECIFIED, DIMENSIONS ARE IN MILLIMETERS [INCHES]. UNLESS OTHERWISE SPECIFIED DIMENSIONAL TOLERANCES ARE: .XX ±0.13 [.005"] .X ±0.20 [.008"] X ±0.50 [.019"] | | |
| ANGULAR TOLERANCES ARE: ALL=±1° | | |

TITLE:

Precision SMA Male
Quick Mate Termination,
1W, 18GHz

DO NOT SCALE
DRAWING

PROJECTION:



PART No.:

C141011

SIZE:
A4

SCALE:
4:1

SHEET:
1/1

REV:
A

CONNOR[®]
www.connor.com