

REVISIONS				
REV	DESCRIPTION OF REVISION	ECN No.	DATE	APPROVED
A	INITIAL RELEASE		08/08/12	M. Dong

TECHNICAL DATA

Electrical

Impedance	50 Ω
Frequency range	0~40 GHz
VSWR	1.20:1
Contact resistance	
-centre contact	≤5mΩ
-outer contact	≤2.5mΩ
Insulation resistance	≥1000MΩ

Mechanical & Environmental

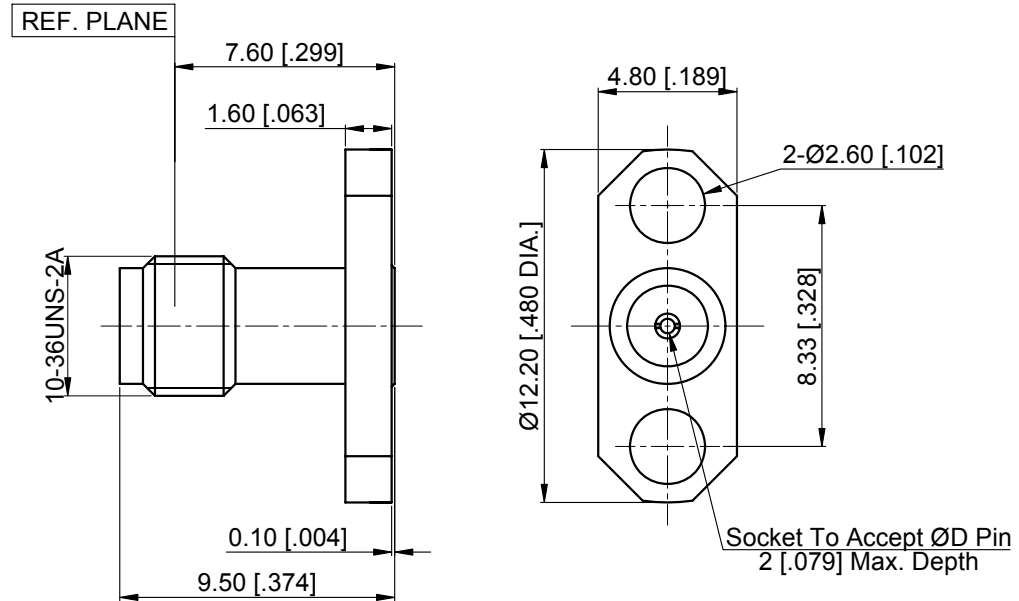
Durability (matings)	>500
Temperature range	-55 °C ~ +165 °C
RoHS Compliant	Yes

Material & Finish

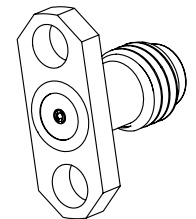
Body	Stainless Steel (SU303), Passivated
Pin Contact	Beryllium Copper Alloy, Gold-plated
Insulator	PEI & PTFE

Interface Standards

SSMA	MIL-STD-348A
------	--------------



Part Number	D
C30214003A	0.23 [.009]
C30214003B	0.30 [.012]
C30214003C	0.38 [.015]
C30214003D	0.46 [.018]
C30214003E	0.51 [.020]



NOTES:

- ALL SPECIFICATIONS ARE SUBJECT TO CHANGE WITHOUT NOTICE AT ANY TIME
- UNLESS OTHERWISE SPECIFIED ALL DIMENSIONS ARE NOMINAL.

DRAWN:	W. Shen	08/08/12
CHECKED:	K. Liu	08/08/12
APPROVED:	M. Dong	08/08/12
UNLESS OTHERWISE SPECIFIED, DIMENSIONS ARE IN MILLIMETERS [INCHES]. UNLESS OTHERWISE SPECIFIED DIMENSIONAL TOLERANCES ARE:		
	.XX	±0.13 [.005"]
	.X	±0.20 [.008"]
	X	±0.50 [.019"]
ANGULAR TOLERANCES ARE: ALL=±1°		

TITLE:

SSMA Straight Female,
2 Hole Flange,
Accept Pin

DO NOT SCALE
DRAWING

PROJECTION:

 www.connov.com			
SIZE:	SCALE:	SHEET:	REV:
A4	4:1	1/1	A