

REVISIONS				
REV	DESCRIPTION OF REVISION	ECN No.	DATE	APPROVED
A	INITIAL RELEASE	—	07/08/12	M. Dong

## TECHNICAL DATA

### Electrical

Impedance	50 Ω
Frequency range	0~27 GHz
VSWR	1.10:1 (DC to 18GHz) 1.15:1 (18GHz to 27GHz)

### Contact resistance

-centre contact	≤3mΩ
-outer contact	≤2mΩ
Insulation resistance	≥5000MΩ

### Mechanical & Environmental

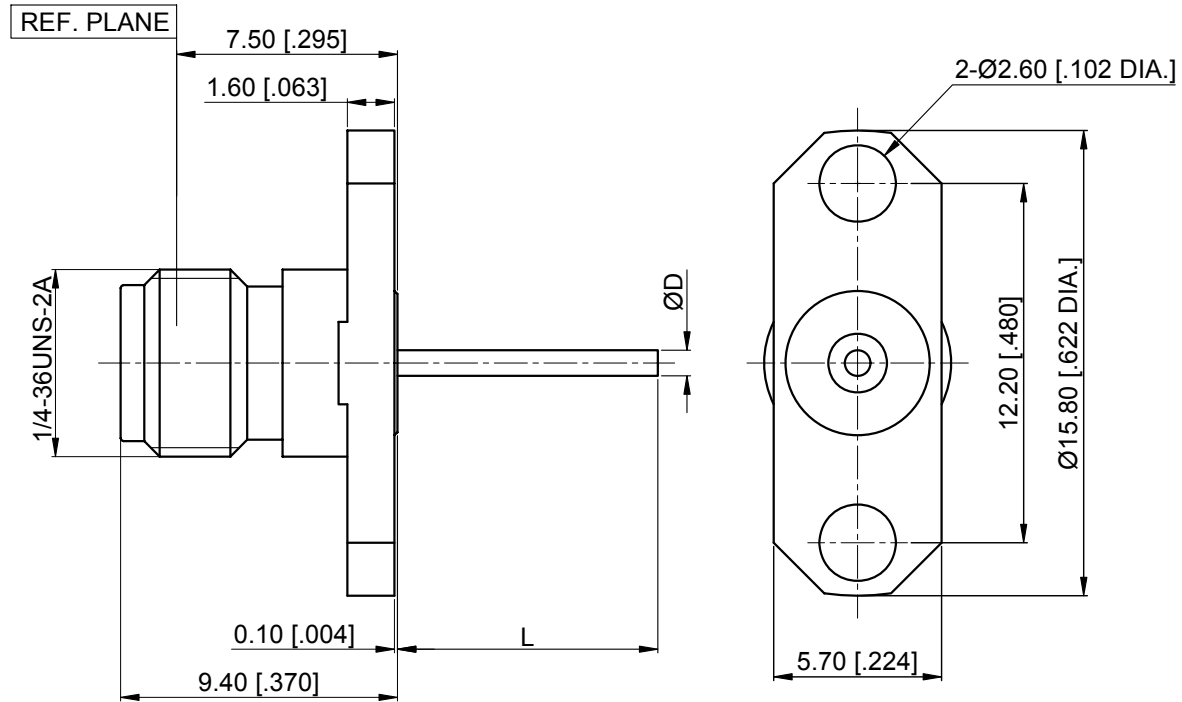
Durability (matings)	>500
Temperature range	-55 °C ~ +165 °C
RoHS Compliant	Yes

### Material & Finish

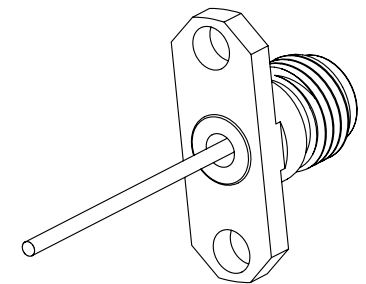
Body	Stainless Steel (SU303), Passivated
Pin Contact	Beryllium Copper Alloy, Gold-plated
Insulator	PTFE

### Interface Standards

SMA	MIL-STD-348A
-----	--------------



Part Number	ØD PIN	L
C14214055A	0.64 [.025]	18 [.709]
C14214055B	0.87 [.034]	26 [1.024]
C14214055C	0.87 [.034]	10.92 [.430]



### NOTES:

- ALL SPECIFICATIONS ARE SUBJECT TO CHANGE WITHOUT NOTICE AT ANY TIME
- UNLESS OTHERWISE SPECIFIED ALL DIMENSIONS ARE NOMINAL.

DRAWN:	W. Shen	07/08/12
CHECKED:	K. Liu	07/08/12
APPROVED:	M. Dong	07/08/12
UNLESS OTHERWISE SPECIFIED, DIMENSIONS ARE IN MILLIMETERS (INCHES). UNLESS OTHERWISE SPECIFIED DIMENSIONAL TOLERANCES ARE:		
	.XX	±0.13 [.005"]
	.X	±0.20 [.008"]
	X	±0.50 [.019"]
ANGULAR TOLERANCES ARE: ALL=±1°		

TITLE:

SMA Straight Female,  
2 Hole Flange,  
Air Line Through the Wall

DO NOT SCALE  
DRAWING

PROJECTION:

 www.connorv.com			
SIZE:	SCALE:	SHEET:	REV:
A4	4:1	1/1	A